

NyteWatch™ Series Low-Glare Motion Sensor



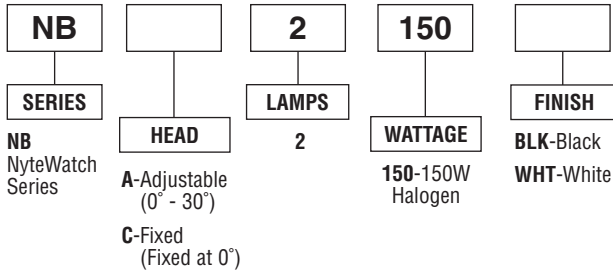
NBA2150BLK shown at 0°



NBA2150BLK shown at 30°

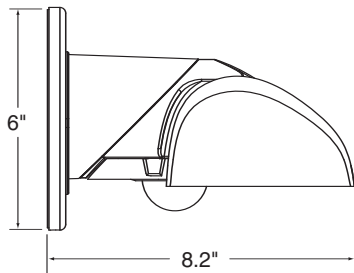
ORDERING INFORMATION

Catalog Number: Example: NBA2150BLK

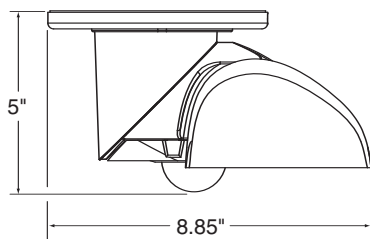


Patents-Pending

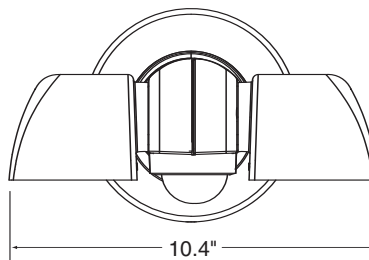
TECHNICAL INFORMATION



Wall-Mounted Configuration



Soffit-Mounted Configuration



Front View

PRODUCT SPECIFICATIONS

- Architectural design blends with any environment
- Low-glare optics
- Patent-Pending swivel design easily adapts to walls or soffits
- Die-cast aluminum construction
- Soda-lime tempered glass lenses
- Universal mounting plate with integral bubble level
- NBA model adjusts from 0° - 30° for cutoff or forward-throw applications
- NBC model is fixed 0° cutoff for Dark Sky compliance
- 240° horizontal vision plane and 70° vertical vision plane with anti sneak-by optics
- Nyte-Glow™ setting dims light to 30% for dusk-to-dawn operation
- Motion sensor has 10-second to 15-minute time delay control with automatic sensitivity adjustment
- UL-Approved for internal splicing eliminates the need for an external splice box
- Universal back plate for mounting to recessed or surface junction boxes, round boxes or single gang FS boxes
- Built-in photo control with ON/OFF switch
- Includes (2) 150w quartz halogen lamps
- Built-in surge protection
- 10-Year Limited Warranty



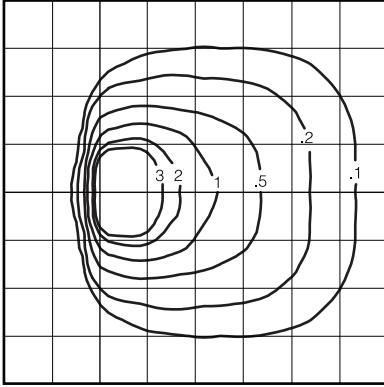
UL Wet Location Listed.



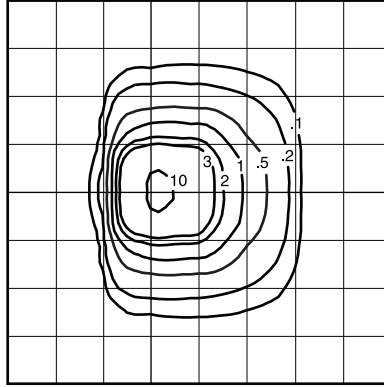
7-8

NyteWatch Series Low-Glare Motion Sensor

PHOTOMETRICS



NyteWatch Model NBA (Adjustable)
Lamp: (2) 150w Quartz Halogen
Lumens: 5,700 (2) lamps
Mounting Height: 10 feet
Tilt: 15°



NyteWatch Model NBC (Fixed)
Lamp: (2) 150w Quartz Halogen
Lumens: 5,700 (2) lamps
Mounting Height: 10 feet
Tilt: 0°